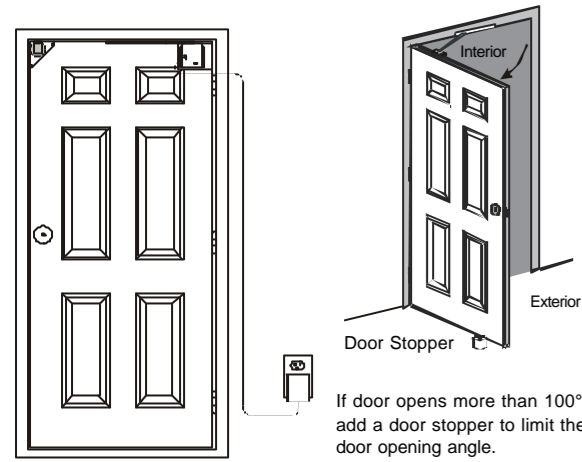


# QUICK INSTALLATION GUIDE

## OUT-SWING LEFT



**1**

Remove 2 screws

Secure the solid strike plate by screws

x1

x3

**2**

Out-Swing Slider bracket - Position on the inside part of the door and against underside of the door jamb when the door is closed.

Out-Swing Slider bracket

7.5in (190mm) away from the door frame

x3

**3**

Remove side cover

**4**

Top 2 screws match the 2 holes with marking "OUT SWING LEFT".

**5**

Secure the operator to mounting plate by 6 screws, spring washers and nuts.

x6

x6

x6

**6.1**

Ensure the door setting slide switch is at the 2nd position from the bottom for "Outswing Left" setting. The operating mode slide switch should be at the lowest position for "Toggle mode" operation.

Door Setting Slide Switch

Operating Mode Slide Switch

**6.2**

Step 1) Press and hold the door setting button. (red)

Press

Step 2) Plug in the adapter, buzzer will beep rapidly.

**6.3**

Release the door setting button, the motor and its shaft will rotate. The orange LED will flash slowly, buzzer will beep slowly.

**WARNING**

ENSURE NOTHING IS TRAPPED BETWEEN THE SHAFT AND THE OPERATOR.

**6.4**

When the motor stops, it will emit 2 beeps. Startup setting procedure is now completed.

x4

x4

**7**

Position and secure the operator with mounting plate as indicated onto the door.

Door should be in fully closed position.

2 mm

2 mm

x4

x4

**8.1**

Close the door, insert the slider of the arm to the slider bracket.

Slider

**8.2**

Place the other end of the arm on top of the motor shaft.

**8.3**

Manually open the door slowly to about 75 degrees, the arm will drop and seat fully into the slots of the motor shaft.

75°

**8.4**

Arm is seat fully into the slots.

**9**

Secure the arm to the operator as indicated.

x1

x1

x1

**10**

Set door travel limits

Step 1) Plug in the adapter, red LED will be on.

Step 2) Press and hold the door setting button for 10 seconds, until a long beep is heard, then release the button.

The operator will open and close one full cycle. Door opener installation is now completed. Activate the remote (upper left button) to operate the door opener. If the remote does not activate the door opener, refer to User's Instructions "Learn remote controls" for more information. DM-50 - Installation is completed. DM-100 - Continue to install the lock.

**11**

Electromagnetic Lock Installation (DM-100 only)

Secure the electromagnetic lock & it's bracket onto the door.

x2

x2

x2

x1

x1

x1

**12**

Position the armature plate assembly to the door frame so it is directly on top of the lock. (DM-100 only)

Soft spacer

Armature plate

Eyelet

x1

x1

x1

x4

x5

x5

**13**

Connect the lock cable to the 2 most up left jumpers on the door opener. (DM-100 only)

Secure 2 side covers

**14**

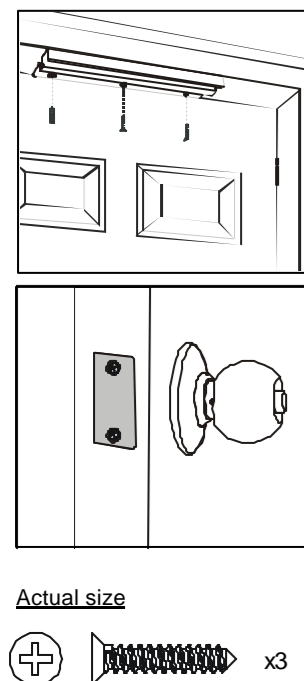
Plug in adapter

Press remote to operate door opener.

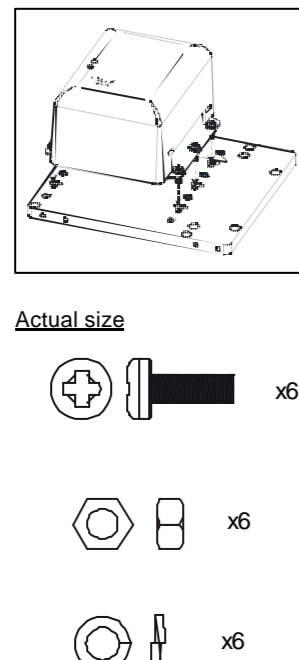
Door Stopper

If door opens more than 100°, add a door stopper to limit the door opening angle.

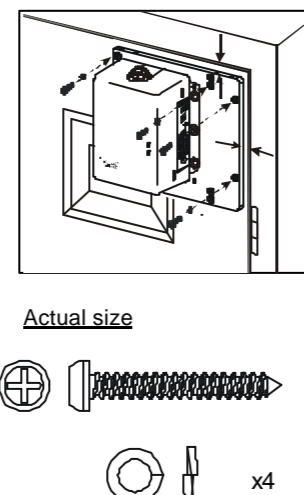
**BAG A**  
Slider bracket screws  
+ solid strike plate



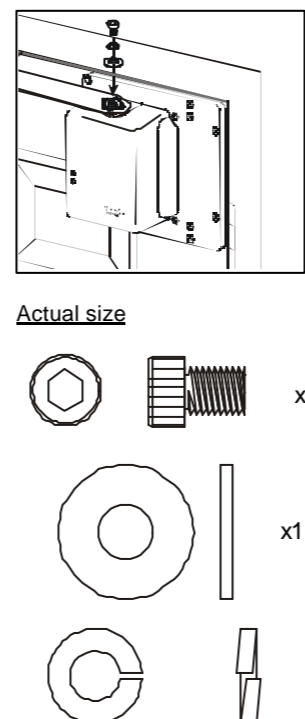
**BAG B**  
Mounting plate



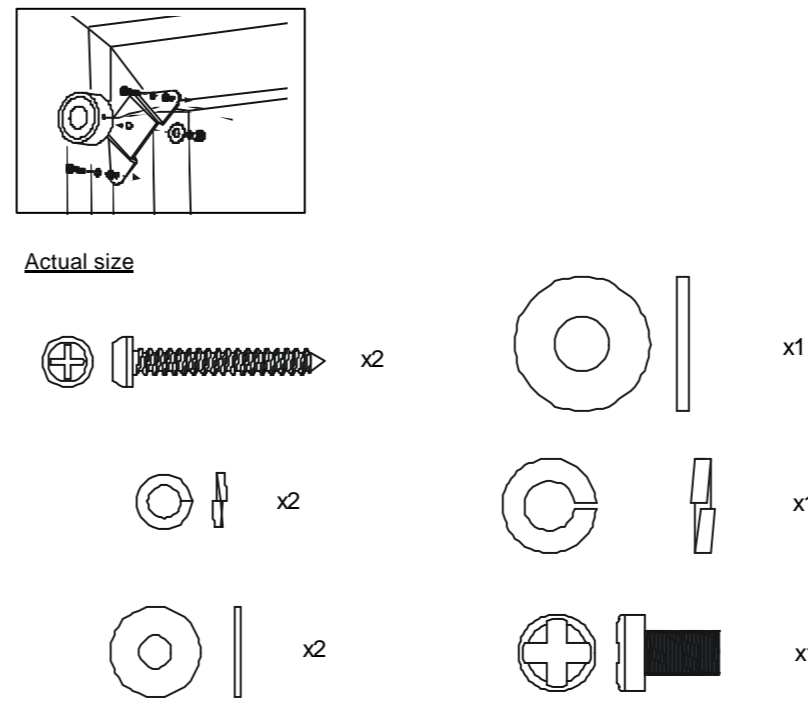
**BAG C**  
Door opener assembly



**BAG D**  
Door Arm



**BAG E**  
Electromagnetic Lock (DM-100 only)



**BAG E**  
Armature plate (DM-100 only)

